

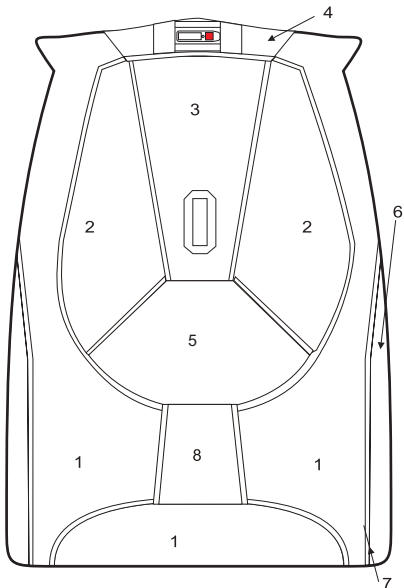


FIREBIRD
EMAIL ORDERFORM to ORDER@FLYFIREBIRD.COM



Firebird USA LLC
Eloy, AZ 85131
Phone 747 300 8880
usa@flyfirebird.com


Name: _____ Main type/size: _____
 E-Mail: _____ Reserve type/size: _____
 Phone: _____ AAD setup for: Vigil Cypres
 New AAD order: Vigil Cypres



Colors:
check website for available colors
special colors on request

1.....
 2.....
 3.....
 4.....
 5.....
 6.....
 (7).....
If other color than binding tape +15
 8.....

Options:
 Cutaway Handle color:
 Custom Logo Mudflap left right
 Lettering:
 Color:
 Spare Tear Off Safety Flap +\$60
 Color:
 Black Hardware + \$30
 Static line +\$25
 Reserve Pin Window

Firebird or EVO no. 6
 Left side Firebird or EVO
 color:
 Right side Firebird or EVO
 color:
 Logo on Mud Flap
 Yes No 
 color:

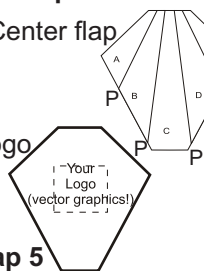

Binding tape:
 Back Pad:
 Mudflaps:
 Leg Pads:
 Multicam Fabric +\$15

Evo Student Standard Features:
 Stainless Steel Hardware / adjustable hip ring /
 D-Bag / Freebag + pilot chute / Type 8 riser /
 RSL line / Pillow cutaway handle color red /
 Metal D handle / AFF second release

Webbing:
 color:
 black silver
 navy blue yellow
 royal blue red
 olive drap white

Comments:

.....

Center Flap no. 5 Option
 Classic Center flap
 Flap with Logo (extra costs)

FB Logo on flap 5
 Yes No 
 Color

Flap and Accent colors:
 A C E
 B
 D
 P+ \$50

Location, Date:
 Signature:

Pay now with PayPal
 \$500 Deposit and send form by clicking